

Hygienisk temperaturgivare med gänganslutning

Användningsområde

Motståndsgivare för applikationer med hygieniska krav.
Utbytbar mätinsats.

Armatyr

Material i syrafast stål 1.4404 / AISI 316L, 6 x 1 mm, 10 x 1 mm.
Ytfinhet: Ra ≤ 0.8 µm som standard för medieberörda delar.

Mätinsats

Mätelementet med noggrannhet i enlighet med IEC 60751 är placerad i spetsen av röret som är fyllt med värmeledande pasta för snabb svarstid och vibrationssäkert utförande. Mätinsatsen med tefloniserade trådar är inte utbytbar.

Processtemperatur

TRA-H11	-50...+200 °C
TRA-H21	-196...+600 °C

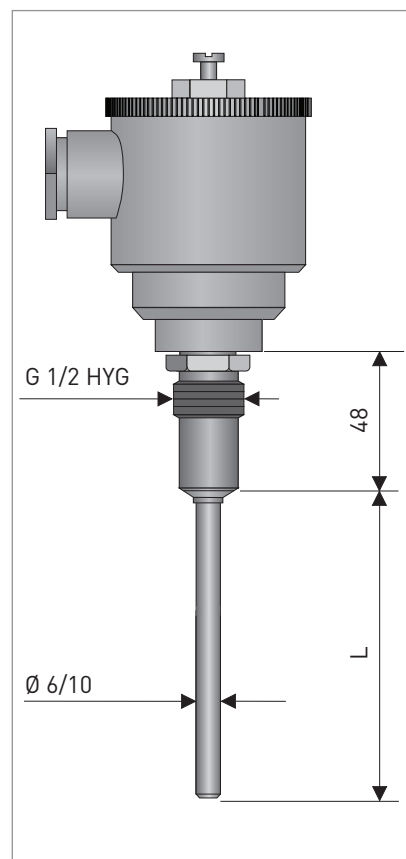
Kapslingsklass

Se avsnitt Kopplingshuvuden på sida 120.

Svarstider

Typ	Vatten 0.4 m/s		Luft 1 m/s	
	t 0.5	t 0.9	t 0.5	t 0.9
TRA-H11, Ø 6	8 s	20 s	1.2 min	3.7 min
TRA-H21, Ø 10	17 s	52 s	2 min	6.2 min

TRA-H11, Ø 6 (trådar)
TRA Ø 10 (insats)



Dimensioner i mm

Beställningskod för TRA-H20 med standardinställningar

V	T	H	1	4	A	0	1	3	4	1	1	1	0	1	1	1	0	0	0	0	0	0	0	1	0	0	0	
								4	5		7	8	9	10														

Detta är ett urval av de valmöjligheter som finns för denna givare. För komplett beställningskod se sidan 55.

4. MÄTINSATS

2	1x Pt100	3-tråd
3	1x Pt100	4-tråd
4	2x Pt100	3-tråd
5	2x Pt100	4-tråd

5. TOLERANSKLASS

2	Klass A	TF
4	Klass A	WW
6	Klass B	WW
5	Klass AA	WW
7	1 / 10 DIN	WW

7. DIAMETER SKYDDSFICKA (Ø)

1	10 x 1 mm
2	6 x 1 mm

8. PROCESSANSLUTNING

G	G 1/2 Hygienisk
---	-----------------

9. YTFINHET

0	Ej specificerat
1	Ra < 0.5 µm
8	Ra < 0.8 µm

10. INSTICKSLÄNGD

1	50 mm
2	100 mm
3	150 mm
4	200 mm
5	250 mm
Z	Kundanpassad längd

* 2 Ra < 0,5mm Elektropolerad

VTH1	4	1. Type
		Non replaceable insert
	1	TRA-H 10 (MEJ) <200°C (10)
	3	TRA-H 30 <200°C insitu calibration (30)
	A	TRA-H 11 <200°C G1/2 Hygienic short extention nipple (11)
	K	TRA-H 12 <200°C G1/2 Hygienic process connection (12)
		Replaceable insert
	2	TRA-H 20 (MES) <600°C (20)
	B	TRA-H 21 <600°C G1/2 Hygienic short extention nipple (21)
	L	TRA-H 22 <600°C G1/2 Hygienic process connection (22)
		2. Certificate
	0	without
	A	Simple Apparatus declaration according to EN/IEC 60079-0 och EN/IEC60079-11 (10-22)
		3. Connection heads
	1	BA cover screwed Alu, M20x 1,5, IP 65
	2	BUZ-S hinged cover, snap-lock Alu, M20x 1,5, IP 65
	3	BUZ-T hinged cover, screwed Alu, M20x 1,5, IP 65
	5	BUZ-H Hinged cover screwed, High lid Alu, M20x 1,5, IP 65
	6	BUZ-HW Hinged cover screwed, High lid with indicator, Alu, M20x 1,5, IP 65
	8	BVA screw cover SS, M20x 1,5, IP 65
	M	BHY screw cover SS, M16x 1,5, IP67
		4. Measuring insert = sensor / wiring
	2	1x Pt100 3-wire (Cl.A, WW)
	3	1x Pt100 4-wire (Cl.A, WW)
	4	2x Pt100 3-wire (Cl.A, WW)
	5	2x Pt100 4-wire (Cl.A, WW)
		5. Measuring insert / tolerance class
	2	Cl. A TF (tolerance class -30 ... +300°C)
	4	Cl. A WW (tolerance class -100 ... +450°C)
	6	Cl. B WW (tolerance class -200...+600°C)
	5	Cl. AA WW (tolerance class -50 ... +250°C)
	7	1/10 DIN WW (tolerance class at 0°C)
		7. Thermowell diameter
	1*	10 mm (all)
	2	6 mm (10-22)
	8	8 mm (30)
		8. Process connection
	0	without
	1	Clamp DN25/38 ISO 2852 (10, 20, 30)
	2	Clamp DN51 ISO 2852 (10, 20, 30)
	A	Varivent type N DN50/PN40 (10, 20, 30)
		Theraded
	G	G 1/2 Hygienic (11, 12, 21, 22)
		9. Surface finish wetted parts
	0	without
	1	Ra < 0,5 µm, polished
	2	Ra < 0,5 µm, polished and electropolished
	8	Ra < 0,8 µm, polished
		10. Immersion length
	1	50 mm
	2	100 mm
	3	150 mm
	4	200 mm
	5	250 mm
	Z	Customized length
		11. Extension tube length
	0	Whitout (11-21)
	1	50 mm (10,12,20,22,30)
	2	100 mm (10,12,20,22,30)
	Z	Customized length
		12. Type of connection / head mounted transmitter
	0	with flying leads for transmitter mounting
	1	Standard version with ceramic terminal block
	L	with head mounted transmitter TT 12 C // APAQ C130 Basic RTD
	4	with head mounted transmitter TT 22 C // IPAQ C202 Basic, RTD [Ex]
	C	with head mounted transmitter TT 33 C // IPAQ C330 Universal [Ex]
	E	with head mounted transmitter TT 51 C // IPAQ C520 Smart, HART, SIL2 [Ex]
	M	with head mounted transmitter TT 53 C // IPAQ C530 Smart, HART [Ex]
		13. Type of connection / rail mounted transmitter
	0	without
	L	with rail mounted transmitter TT 12 R // APAQ R130 Basic, RTD
	A	with rail mounted transmitter TT 32 R // IPAQ-4L Universal, 90 - 250 VAC
	B	with rail mounted transmitter TT 32 R // IPAQ-4L Universal, 20 - 30 VDC
	C	with rail mounted transmitter TT 33 R // IPAQ R330 Universaldigital, sta [Ex]
	H	with rail mounted transmitter TT 51 R // IPAQ R520 Smart, HART, SIL2 [Ex]
	M	with rail mounted transmitter TT 53 R // IPAQ R530 Smart, HART [Ex]
		14. Measuring range
	0	without
	1	Configuration
		15. Calibration report
	0*	without
		Sensor calibration (single- or double-sensor)
	1	1-point (single) room temper (single-sensor)
	P	2-point (single) 0°, 100°C (double-sensor)
	R	2-point (double) 0°, 100°C (single-sensor)
	2	2-point (single) 0%, 100% of (double-sensor)
	3	2-point (double) 0%, 100% of (single-sensor)
	S	3-point (single) 0°, 50°, 100° (double-sensor)
	T	3-point (double) 0°, 50°, 100° (single-sensor & transmitter)
	4	3-point (single) 0%, 50%, 10 (single-sensor & transmitter)
	5	3-point (double) 0%, 50%, 10 (single-sensor & transmitter)
	6	customised (single) (single-sensor & transmitter, incl. adjust.)
	7	customised (double) (single-sensor & transmitter, incl. adjust.)
		Sensor + Transmitter calibration (single-sensor & transmitter, incl. adjust.)
	A	2-point (single) 0%, 100% of (single-sensor & transmitter, incl. adjust.)
	B	3-point (single) 0%, 50%, 10 (single-sensor)
	C	5-point (single) 0%, 25%, ... (double-sensor)
		Sensor + Transmitter calibration w (single-sensor)
	E	2-point (single) 0%, 100% of (double-sensor)
	F	3-point (single) 0%, 50%, 100% of range
	G	5-point (single) 0%, 25%, ..., 100% of range
	H	customised

Vissa kombinationer är inte möjliga. Vänligen kontakta KROHNE Inor för ytterligare information.

