

LCD-H30

Loop Powered Heavy-duty LCD Field Indicator



LCD-H30 is a digital, heavy-duty LCD indicator for installation directly in a 4-20 mA loop without need for external power.

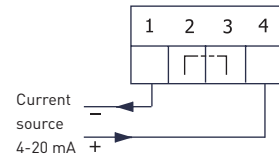
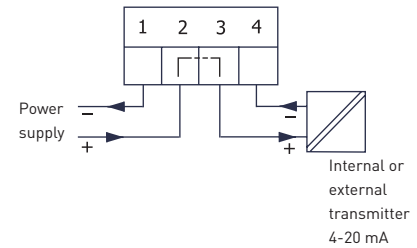
The indicator is equipped with high-contrast, easy-to-read LCD digits with backlight. The scale is easily programmable, without reference signal, by two push buttons for any values between - 1999 and 9999.

- Can be used with any DIN B transmitter or as display only
- Installation directly in a 4-20 mA loop without need for power supply
- 5 V voltage drop
- High-contrast, 4-digit LCD display with LED backlight
- Simple push button scaling without reference signal
- Any range between -1999 to 9999 for 4 to 20 mA input
- Labels for different engineering units are included
- Typical accuracy of 0.05 % allows for high precision read-outs
- HART transparent
- Choice of transmitter can be integrated as added option
- Designed for ambient temperatures between -20 to +70 °C / -4 to +158 °F
- Field mounting in rugged IP 68 housing
- 90° indexing of display orientation

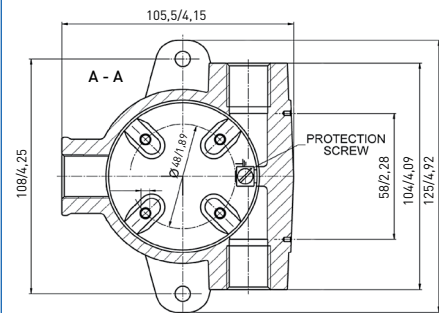
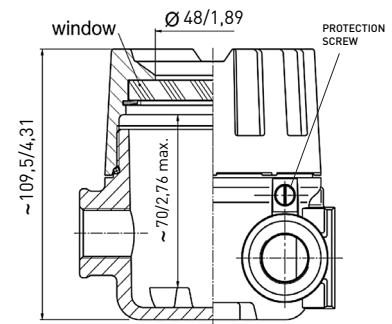
Specifications:

Input Current	4-20 mA
Maximum current	30 mA
Minimum current for operation	-3.5 mA
Voltage drop	-5 V
Indication	
Display	LCD with 4 digits including minus sign
Digit height	8.89 mm / 0.35"
Indication range	Any range between -1999 to 9999
Decimals	Selectable, 0 to 3
Under range / Over range	Flashing symbols LO/HI
Engineering units	Set of labels included (including blanks)
Response time	Appr. 0.5 s
Scale setting	2 pushbuttons inside the housing
Operation temperature	-20 to +70 °C / -4 to +158 °F
Typical accuracy	±0.05 % FS ±1 digit
Protection	Up to IP68
Connections	Stranded, ≤ 2.5 mm
Mounting	Wall mount or 2" pipe clamp
Enclosure	
Material	Pressure Die Cast Aluminium; Silicone Rubber gasket
Paint	Spray Epoxy Primer with Polyurethane Top Coat. Color: RAL 5005 Signal Blue
Conduit Connections	Threaded ports M20x1.5, 1/2 NPT, 3/4 NPT

Connections



Dimensions



mm/inches

Ordering information

LCD-H30 - w/head M20x1,5	4007330601
LCD-H30 - w/head 1/2" NPT	4007330701
LCD-H30 - customized	On request
2" Pipe clamp in stainless steel	4003435101
For indicator only (without housing)	On request