

Kabelgivare för ingångning M6 eller M8 bult

Användningsområde

För mätning av lagertemperatur eller liknande. Monteras genom ingångning i godset.

Mätkropp

Processanslutning M6 eller M8 bult.
Material i syrafast stål.

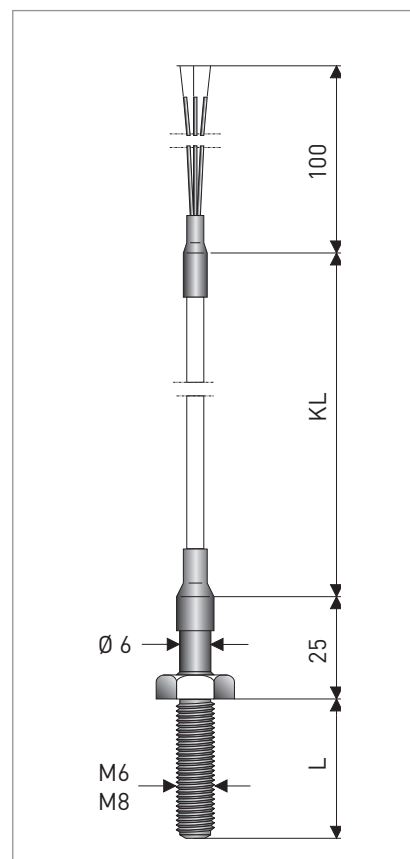
Mätelement

Mätelement med noggrannhet enligt IEC 60751 placerat i bultens spets som är fylld med värmeledande pasta för snabb svarstid och för skaksäker design.
Anslutningskabel med MFA/PFA-isolering.

Processtemperatur -50...+200 °C

Kapslingsklass IP 54

För inkoppling, se sida 154.



Dimensioner i mm

**Beställningskod
för TRA-W50 med
standardinställningar**

V T E 2 4 5 0 1 3 2 1 8 0 0 5 1 0 0 0 0 0 0 0 0 0 0 0

Detta är ett urval av de valmöjligheter som finns för denna givare. För komplett beställningskod se sidan 80.

3. KABELMATERIAL

1	PVC	Ø 4.8 mm
2	Silikon	Ø 4.7 mm
3	Teflon	Ø 3.9 / 4.3 mm

4. MÄTELEMENT

1	1x Pt100	2-tråd
2	1x Pt100	3-tråd
3	1x Pt100	4-tråd
4	2x Pt100	2-tråd
5	2x Pt100	3-tråd
M	1x Pt1000	3-tråd
N	1x Pt1000	4-tråd

7. STORLEK SKYDDSRÖR

7	Bult M6
8	Bult M8

Type code for industrial thermometers			
VTE2	4	1. Type	version
		1 TRA-W 10	"cable, plug-in" (RKS)
		2 TRA-W 20	"cable, surface" (RYS)
		3 TRA-W 30	"cable, surface" (RYT)
		4 TRA-W 40	"cable, surface" (RZS)
		5 TRA-W 50	"cable, screw-in" (RLS)
		6 TRA-W 60	"oil-tight surface" (RLO)
		7 TRA-W 70	"cable, bayonet" (RTS)
		8 TRA-W 80	"harsh cable plug-in"
		A TRA-W 90	"high temp. Cable plug-in" (RMK)
		2. Certificate	
		0 without	
		1 Simpel Apparatus according to ATEX directives	
		3. Cable material	
		1 PVC	70°C
		2 Silicon	150°C
		3 MFA / PFA	200°C
		4 ETFE / KAPT	150°* 4-wire
		5 ELAX / PTFE	105°C 4-wire
		6 TPEV	105°C 4-wire
		4. Measuring insert = sensor / wiring	
		1	1x Pt100 2-wire
		2	1x Pt100 3-wire
		3	1x Pt100 4-wire
		4	2x Pt100 2-wire
		5	2x Pt100 3-wire
		M	1x Pt1000 3-wire
		N	1x Pt1000 4-wire
		5. Measuring insert / tolerance class	
		2 Cl. A TF	(tolerance class -30 ... +300°C)
		4 Cl. A WW	(tolerance class -100 ... +450°C)
		6. Thermowell material	
		1 1.4404 316L	
		2 Brass	
		3 Copper	
		4 PTFE/Copper	
		7. Protection tube size	
		0	∅ 3 x 0,5 mm
		1	∅ 6 x 0,5 mm
		2	∅ 8 x 0,5 mm
		4	Block 5 x 5 x 25 mm
		5	Block 26 x 18 x 50 mm
		6	Block 8 x 10 x 40 mm
		7	Bolt M6
		8	Bolt M8
		A	∅ 6 x 12,9 mm SS
		P	Form 4, ∅24 mm
		8. Process connection	
		0 without	
		1	Compression fitting G1/8" SS
		2	Compression fitting G1/4" SS
		3	Compression fitting G1/2" SS
		4	Compression fitting G1/4" Brass
		5	Mounting Band, DN300 (1000 mm)
		7	Bayonet fitting M12x1
		8	Bayonet fitting M12x1,75
		S	Compression fitting 1/2" NPT SS
		F	Mounting flange
		9. Thermowell	
		0 without	
		1	tube G1/2 ∅ 8 x 1 L=75 mm
		2	tube G1/2 ∅ 8 x 1 L=175 mm
		3	tube G1/2 ∅ 8 x 1 L=275 mm
		10. Immersion length	
		0	13,5 mm
		1	15 mm
		2	20,2 mm
		4	25 mm
		5	30 mm
		6	50 mm
		A	100 mm
		B	150 mm
		C	200 mm
		D	300 mm
		E	400 mm
		F	500 mm
		M	Form 4 D1 140/65 mm.
		N	Form 4 D2 200/125 mm
		P	Form 4 D4 200/65 mm
		R	Form 4 D5 260/125 mm
		11. Cable length	
		1	0,5 m
		2	1,0 m
		3	1,5 m
		4	2,0 m
		5	3,0 m
		6	4,0 m
		7	5,0 m
		8	6,0 m
		A	7,0 m
		B	8,0 m
		C	9,0 m
		D	10,0 m
		E	12,0 m
		F	15,0 m
		G	20,0 m
		H	25 m
		K	30 m
		L	40 m
		M	50 m
		Z	customised lengths
		13. Type of connection / rail mounted transmitter	
		0 without	
		L	with rail mounted transmitter // APAQ R130 Basic, RTD
		A	with rail mounted transmitter // IPAQ-4L Universal, 90 - 250 VAC
		B	with rail mounted transmitter // IPAQ-4L Universal, 20 - 30 VDC
		C	with rail mounted transmitter // IPAQ R330 Universal [Ex]
		H	with rail mounted transmitter // IPAQ R520 Smart, HART, SIL2 [Ex]
		M	with rail mounted transmitter // IPAQ R530 Smart, HART [Ex]
		14. Measuring range	
		0 without	
		1	Customized Configuration
		2	-50...+50°C
		3	-50...+100°C
		4	-50...+150°C
		5	0...+50°C
		6	0...+100°C
		7	0...+150°C
		8	0...+200°C
		15. Calibration report	
		0* without	
		Sensor calibration	
		1	1-point (single) room temperature
		P	2-point (single) 0°, 100°C
		R	2-point (double) 0°, 100°C
		2	2-point (single) 0%, 100% of range
		3	2-point (double) 0%, 100% of range
		S	3-point (single) 0°, 50°, 100°C
		T	3-point (double) 0°, 50°, 100°C
		4	3-point (single) 0%, 50%, 100% of range
		5	3-point (double) 0%, 50%, 100% of range
		6	customised (single)
		7	customised (double)
		Sensor + Transmitter calibration	
		A	2-point (single) 0%, 100% of range
		B	3-point (single) 0%, 50%, 100% of range
		C	5-point (single) 0%, 25%, ..., 100% of range
		Sensor + Transmitter calibration with error correction	
		E	2-point (single) 0%, 100% of range
		F	3-point (single) 0%, 50%, 100% of range
		G	5-point (single) 0%, 25%, ..., 100% of range
		H	customised

Vissa kombinationer är inte möjliga. Vänligen kontakta KROHNE Inor för ytterligare information.

